

## SURFACE MOUNT SCHOTTKY BARRIER RECTIFIER SS22 THRU SS2B 20 to 200 V 2.0A

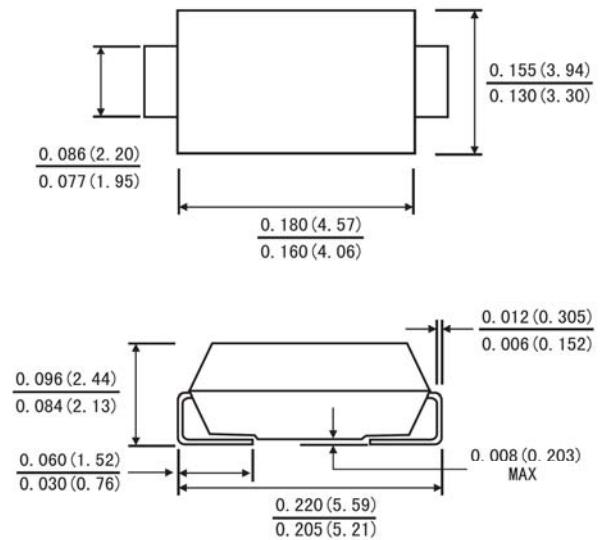
### Features

- Plastic package has Underwriters Laboratory Flammability Classification 94V-0
- Metal silicon junction, majority carrier conduction
- For surface mount applications
- Guard ring for over voltage protection
- Low power loss, high efficiency
- High current capability, Low forward voltage drop
- High surge capability
- For use in low voltage, high frequency inverters, free wheeling, and polarity protection applications
- High temperature soldering guaranteed:  
250°C/10 seconds at terminals

### Mechanical Data

- Case: JEDEC SMB(DO-214AA) molded plastic body
- Terminals: solder plated, solder able per MIL-STD-750, method 2026
- Polarity: color band denotes cathode end
- Weight: 0.003 ounce, 0.093 gram

#### SMB(DO-214AA)



Dimensions in inches and (millimeters)

### Maximum Ratings and Electrical Characteristics

Ratings at 25°C ambient temperature unless otherwise specified. Single phase, half wave, 60HZ, resistive or inductive load. For capacitive load, derate current by 20%.

Type Number	Symbols	SS22	SS24	SS26	SS2A	SS2A5	SS2B	Units
		SK22	SK24	SK26	SK2A	SK2A5	SK2B	
Maximum Recurrent Peak Reverse Voltage	$V_{RRM}$	20	40	60	100	150	200	Volts
Maximum RMS Voltage	$V_{RMS}$	14	28	42	70	105	140	Volts
Maximum DC Blocking Voltage	$V_{DC}$	20	40	60	100	150	200	Volts
Maximum average forward rectified current (See Fig. 1)	$I_{(AV)}$	2.0						Amp
Peak Forward Surge Current, 8.3ms single half-sine-wave superimposed on rated load (JEDEC method)	$I_{FSM}$	50.0						Amp
Maximum instantaneous forward voltage at 2.0A(Note 1)	$V_F$	0.55	0.70	0.85	0.90	0.95		Volts
Maximum Reverse Current $T_A=25^\circ\text{C}$ at Rated DC Blocking Voltage $T_A=100^\circ\text{C}$	$I_R$	0.5 10.0						mAmp
Typical Thermal Resistance (Note 2)	$R_{\theta JA}$	35						°C/W
Operating Temperature Range	$T_J$	-65 to +150						°C
Storage Temperature Range	$T_{STG}$	-65 to +150						°C

#### NOTES:

1. Pulse test: 300  $\mu$ s pulse width, 1% duty cycle
2. P.C.B. mounted with 0.2 X 0.2"(5.0 X 5.0mm) copper pad areas

**RATINGS AND CHARACTERISTIC CURVES**

FIG.1-FORWARD CURRENT DERATING CURVE

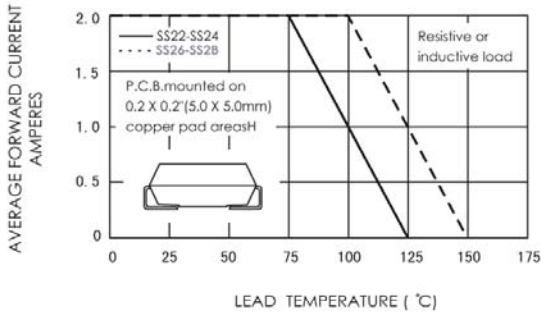


FIG.2-MAXIMUM NON-REPETITIVE PEAK  
FORWARD SURGE CURRENT

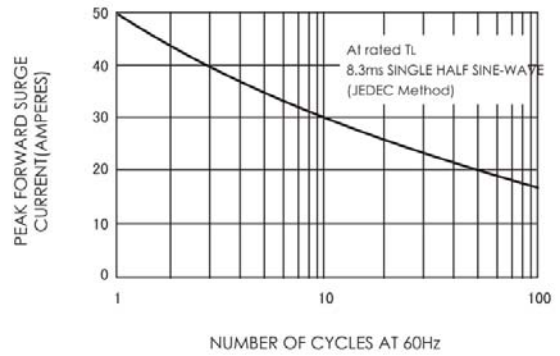


FIG.3-TYPICAL INSTANTANEOUS FORWARD  
CHARACTERISTICS

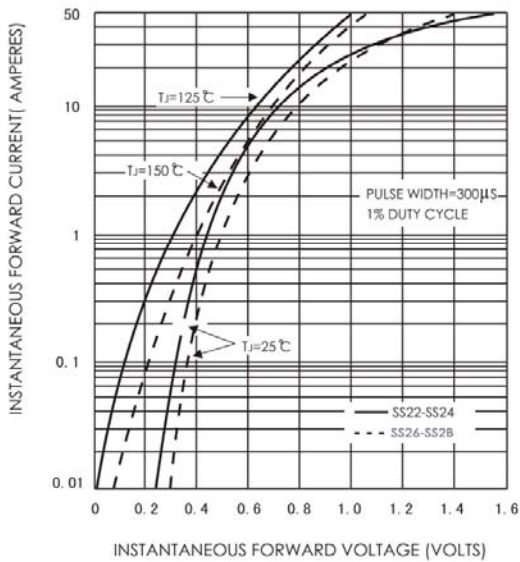


FIG.4-TYPICAL REVERSE CHARACTERISTICS

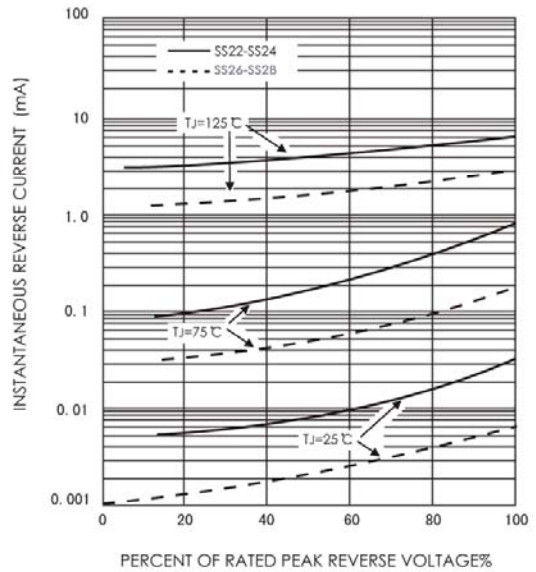


FIG.5-TYPICAL JUNCTION CAPACITANCE

